

## DS-2CD2720F-I(S)



### Key Features

- Up to 2 megapixel (1920 × 1080) resolution, real-time output
- Support ROI function
- Standard video compression with high compression ratio
- Progressive scan CMOS, capture motion video without incised margin
- Support dual stream, and the sub-stream for mobile surveillance
- High-performance and long service life Infrared LED, Approx. 20 to 30 meters IR range
- Built-in Micro SD/SDHC/SDXC card slot, up to 128 GB
- IR cut filter with auto switch
- PoE (Power over Ethernet)
- Ingress Protection level: IP67
- Electronic shutter for different surveillance environments
- Impact Protection: IEC60068-2-75 test, Eh, 20J; EN50102, up to IK10
- Other functions: reset, heartbeat, mirror, etc
- Support intrusion detection and line crossing detection
- Support VCA, which is compatible with NVR for the second time of video searching and analysing

### Specification

|                   |   |
|-------------------|---|
| Model             | DS-2CD2720F-I(S)                                  |
| Parameter         | 2 Megapixel CMOS Vandal-proof Network Dome Camera |
| Camera            |   |
| Image Sensor      | 1/3" Progressive Scan CMOS                        |
| Min. Illumination | 0.01lux @(F1.2,AGC ON) ,0 Lux with IR             |

|                             |  |
|-----------------------------|--|
|                             | 0.014lux @(F1.4,AGC ON), 0 Lux with IR   |
| Shutter Speed               | 1/3 s to 1/100,000 s   |
| Lens                        | 2.8 - 12 mm @ F1.4,Angle of view: 113°-33.8°   |
| Angle Adjustment            | Pan:0° - 355°, Tilt: 0° - 75°, Rotation: 0° - 355°   |
| Lens Mount                  | Φ14  |
| Day &Night                  | IR cut filter with auto switch   |
| Digital Noise Reduction     | 3D DNR   |
| Wide Dynamic Range          | Digital WDR  |
| <b>Compression Standard</b> |  |
| Video Compression           | H.264/ MJPEG   |
| H.264 Compression Type      | BaseLine Profile/Main Profile  |
| Video Bit Rate              | 32 Kbps – 8 Mbps   |
| Audio Compression           | G.711/G.722.1/G.726/MP2L2  |
| Audio Bit Rate              | 64Kbps(G.711)/ 16Kbps(G.722.1)/ 16Kbps(G.726)/ 32-128Kbps(MP2L2)   |
| Dual Stream                 | Yes  |
| <b>Image</b>                |  |
| Max. Resolution             | 1920×1080  |
| Max Frame Rate              | 50Hz: 25fps(1920 × 1080), 25fps (1280 × 960), 25fps (1280 × 720)<br>60Hz: 30fps(1920 × 1080), 30fps (1280 × 960), 30fps (1280 × 720)                                       |
| Sub stream                  | 50 Hz: 25 fps (320 x 240), 25 fps (352 x 288), 25 fps (640 x 480), 25fps(704 x 576)<br>60 Hz: 30 fps (320 x 240), 30 fps (352 x 288), 30 fps (640 x 480), 30fps(704 x 576) |
| Image Settings              | Rotate mode, Saturation, Brightness, Contrast adjustable by client software or web browser   |
| Backlight compensation      | Yes, zone optional   |
| ROI                         | Support  |
| <b>Network</b>              |  |
| Network Storage             | NAS (Support NFS,SMB/CIFS)   |
| Detection                   | Line crossing, Intrusion detection, Motion detection, Dynamic analysis   |
| Alarm Trigger               | Tampering alarm, Network disconnect , IP address conflict, Storage exception   |
| Protocols                   | TCP/IP,ICMP,HTTP,HTTPS,FTP,DHCP,DNS,DDNS,RTP,RTSP,RTCP,<br>NTP,UPnP,SMTP,IGMP,802.1X,QoS,IPv6,Bonjour  |
| General                     | One-key reset, Anti-Flicker, heartbeat, mirror, password protection, privacy mask, watermark, IP address filtering, Anonymous access                                       |
| Standard                    | ONVIF, PSIA, CGI, ISAPI  |
| <b>Interface</b>            |  |
| Communication Interface     | 1 RJ45 10M/100M Ethernet interface   |
| Video Output                | 1Vp-p composite output (75 Ω/BNC)  |

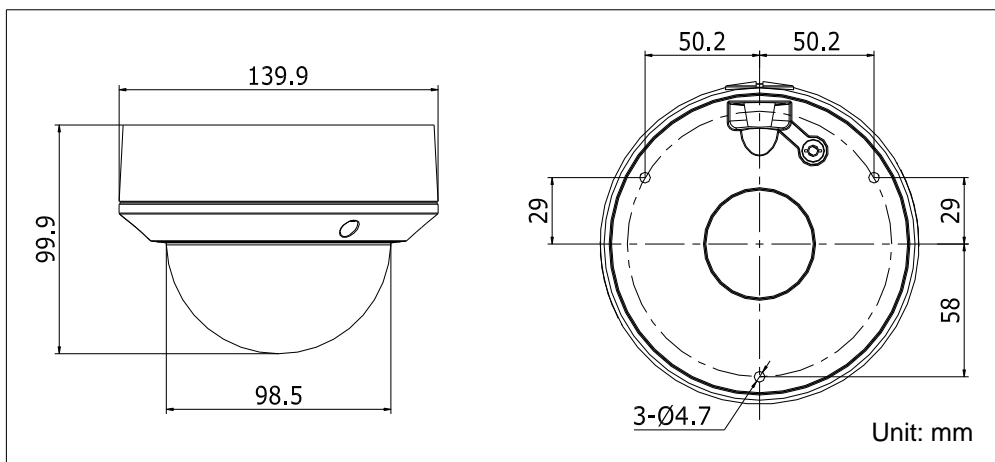
|                          |   |
|--------------------------|---|
| On-board storage         | Built-in Micro SD/SDHC/SDXC card slot, up to 128 GB                       |
| <b>General</b>           |   |
| Operating Conditions     | -30 °C – 60 °C (-22 °F – 140 °F)<br>Humidity 95% or less (non-condensing) |
| Power Supply             | 12 V DC ± 10% PoE (802.3af Class3)  |
| Power Consumption        | Max. 5.5 W  |
| Ingress Protection level | IP67  |
| Material                 | Base&Top Cover: Metal   |
| Impact Protection        | IEC60068-275Eh, 20J; EN50102, up to IK10                                  |
| IR Range                 | 30 meters   |
| Dimensions               | Φ 140 × 99.9 mm (Φ 5.51" × 3.94")   |
| Weight                   | 1000g   |

\* "-S" series support 1-ch audio I/O, 1-ch alarm I/O

## Order Models

DS-2CD2720F-I, DS-2CD2720F-IS

## Dimensions



## Accessories



Wall mount

