

DS-2CD2710F-IZ(S) 1.3MP 1/3" CMOS ICR Dome Network Camera



Key Features

- Up to 1.3 megapixel (1280 x 960) high resolution
- Built-in Micro SD/SDHC/SDXC card slot, up to 128 GB
- Great performance and long lifespan Infrared LED, Approx. 20 to 30 meters IR range
- IR cut filter with auto switch
- DC12V & PoE
- Motorized lens
- Digital Wide Dynamic Range
- 3D Digital Noise Reduction
- Backlight Compensation
- Auto Electronic Shutter
- 3-axis adjustment
- IP67 weather-proof protection
- IK10 vandal-proof protection
- Mobile Monitoring via Hik-Connect or iVMS-4500



Specifications

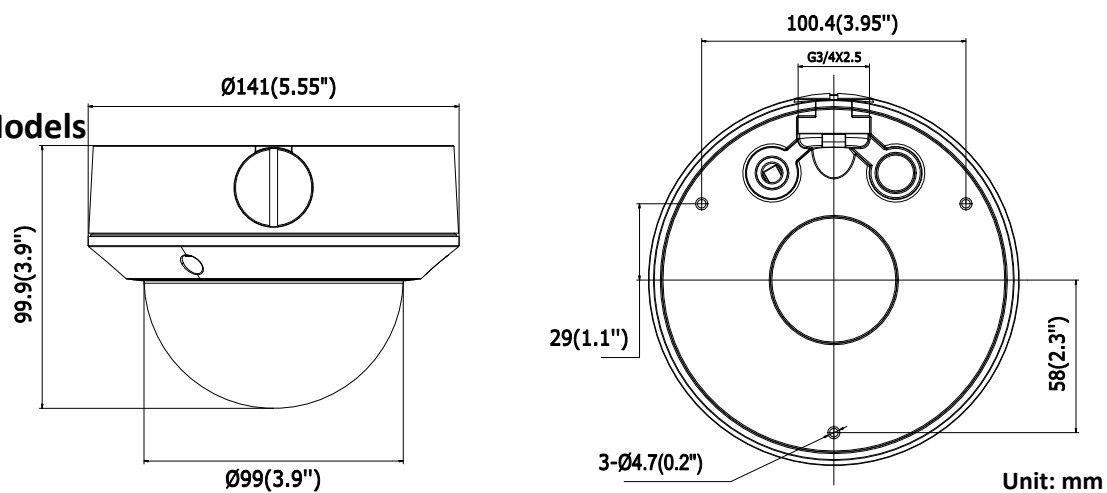
Camera	
Image Sensor	1/3" Progressive Scan CMOS
Min. Illumination	0.014Lux @ (F1.4, AGC ON), 0 Lux with IR
Shutter Speed	1/3 s to 1/100,000 s
Lens	2.7-12mm @ F1.4, horizontal field of view: 98° to 30.2°
Lens Mount	Φ14
Day & Night	IR cut filter with auto switch
DNR	3D DNR
Wide Dynamic Range	Digital Wide Dynamic Range
3-Axis Adjustment	Pan: 0° to 355°, Tilt: 0° to 75°, Rotation: 0° to 355°
Compression Standard	
Video Compression	H.264/MJPEG
H.264 Type	Baseline Profile/Main Profile
Video Bit Rate	32 Kbps to 8 Mbps
Audio Compression	G.711/G.722.1/G.726/MP2L2
Audio Bit Rate	64Kbps(G.711)/16Kbps(G.722.1)/16Kbps(G.726)/32-128Kbps(MP2L2)
Dual Streams	Support
Image	
Max. Resolution	1280 × 960
Max Frame Rate	50Hz: 25fps (1280 × 960,1280 × 720) 60Hz: 30fps (1280 × 960,1280 × 720)
Sub Stream	50 Hz: 25 fps (320 x 240), 25 fps (352 x 288), 25 fps (640 x 480), 25fps(704 x 576) 60 Hz: 30 fps (320 x 240), 30 fps (352 x 288), 30 fps (640 x 480), 30fps(704 x 576)
Image Settings	Saturation, Brightness, Contrast, etc., adjustable by client software or web browser
Backlight Compensation	Support, zone optional
Region of Interest	Support one customized region for each stream
Network	
Storage	Support Micro SD/SDHC/SDXC card (up to 128 GB) local storage and NAS (NFS,SMB/CIFS)
Detection	Intrusion Detection, Line Crossing Detection, Motion Detection, Dynamic Analysis
Alarm Trigger	Video Tempering Detection, Network Disconnected, IP Address Conflicted, HDD Full, HDD Error
Protocols	TCP/IP, UDP, ICMP, HTTP, HTTPS, FTP, DHCP, DNS, DDNS, RTP, RTSP, RTCP, NTP, UPnP, SMTP, IGMP, 802.1X, QoS, IPv6, Bonjour
Standard	ONVIF (PROFILE S, PROFILE G), PSIA, CGI, ISAPI
General Function	Anti-Flicker, Mirror, Password Protection, Privacy Mask, Watermark, Heartbeat
Interface	
Communication Interface	1 RJ45 10M/100M Ethernet port
On-board Storage	Built-in Micro SD/SDHC/SDXC slot, up to 128GB

General	
Operating Conditions	-30 °C to 60 °C (-22 °F to 140 °F), Humidity 95% or less (non-condensing)
Power Supply	DC12V ± 10%, PoE (802.3af)
Power Consumption	Max. 5.5 W
IR Range	Approx. 20 to 30 meters
Protection Level	IP67, IK10
Dimensions	Φ141 × 99.9 mm (5.55" × 3.94")
Weight	800g (1.76 lbs)

DS-2CD2710F-IZ, DS-2CD2710-IZS
 -S: Audio/Alarm IO

Dimension

Order Models



Camera Accessories



Wall mount
DS-1273ZJ-135



Pendant mount
DS-1271ZJ-135

Distributed by



Headquarters

No.555 Qianmo Road, Binjiang District,
Hangzhou 310051, China
T +86-571-8807-5998
overseasbusiness@hikvision.com

Hikvision USA
T +1-909-895-0400
sales.usa@hikvision.com

Hikvision Italy
T +39-0438-6902
info.it@hikvision.com

Hikvision Singapore
T +65-6684-4718
sg@hikvision.com

Hikvision Europe
T +31-23-5542770
saleseuro@hikvision.com

Hikvision France
T +33(0)1-85-330-444
info.fr@hikvision.com

Hikvision Oceania
T +61-2-8599-4233
salesau@hikvision.com

Hikvision Middle East
T +971-4-8816086
salesme@hikvision.com

Hikvision Spain
T +34-91-737-16-55
info.es@hikvision.com

Hikvision Hong Kong
T +852-2151-1761

Hikvision Russia
T +7-495-669-67-99
saleru@hikvision.com

Hikvision Poland
T +48-22-460-01-50
poland@hikvision.com

Hikvision Canada
T +1-909-895-0400
sales.usa@hikvision.com

Hikvision India
T +91-22-28469900
sales@pramahikvision.com

Hikvision UK
T +44-1628-9021-4
support.uk@hikvision.com