

DS-2CD2710F-I(S)



Key Features

- Up to 1.3 megapixel (1280 × 960) resolution
- Standard video compression with high compression ratio, ROI (region of interest) encoding
- Progressive scan CMOS, capture motion video without incised margin
- Support dual stream, and the sub-stream for mobile surveillance
- High-performance and long service life Infrared LED, Approx. 20 to 30 meters IR range
- Built-in Micro SD/SDHC/SDXC card slot, up to 128 GB
- IR cut filter with auto switch
- PoE (Power over Ethernet)
- Ingress Protection level: IP67
- Electronic shutter for different surveillance environments
- Impact Protection: IEC60068-2-75 test, Eh, 20J; EN50102, up to IK10
- Other functions: reset, heartbeat, mirror, etc
- Support intrusion detection and line crossing detection
- Support VCA, which is compatible with NVR for the second time of video searching and analysing

Specification

Model	DS-2CD2710F-I(S)
Parameter	1.3 Megapixel CMOS Vandal-proof Network Dome Camera
Camera	
Image Sensor	1/3" Progressive Scan CMOS
Min. Illumination	0.01lux @(F1.2,AGC ON) ,0 Lux with IR 0.014lux @(F1.4,AGC ON), 0 Lux with IR

Shutter Speed	1/3 s to 1/100,000 s
Lens	2.8 - 12 mm @ F1.4, Angle of view: 98°-30.2°
Angle Adjustment	Pan:0° - 355°, Tilt: 0° - 75°, Rotation: 0° - 355°
Lens Mount	Φ14
Day & Night	IR cut filter with auto switch
Digital Noise Reduction	3D DNR
Wide Dynamic Range	Digital WDR
Compression Standard	
Video Compression	H.264/ MJPEG
H.264 Compression Type	Main Profile
Video Bit Rate	32 Kbps – 8 Mbps
Audio Compression	G.711/G.722.1/G.726/MP2L2
Audio Bit Rate	64Kbps(G.711) / 16Kbps(G.722.1) / 16Kbps(G.726) / 32-128Kbps(MP2L2)
Dual Stream	Yes
Image	
Max. Resolution	1280 x 960
Max Frame Rate	50 Hz: 25 fps (1280 x 960), 25 fps (1280 x 720), 25 fps (704 x 576), 25 fps (640 x 480) 60 Hz: 30 fps (1280 x 960), 30 fps (1280 x 720), 30 fps (704 x 576), 30 fps (640 x 480)
Sub Stream	50 Hz: 25 fps (320 x 240), 25 fps (352 x 288), 25 fps (640 x 480), 25fps(704 x 576) 60 Hz: 30 fps (320 x 240), 30 fps (352 x 288), 30 fps (640 x 480), 30fps(704 x 576)
Image Settings	Rotate mode, Saturation, Brightness, Contrast adjustable by client software or web browser
Backlight compensation	Yes, zone optional
ROI	Support
Network	
Network Storage	NAS (Support NFS,SMB/CIFS)
Alarm Trigger	Intrusion detection, Line crossing detection, Motion detection, Dynamic analysis, Tampering alarm, Network disconnect , IP address conflict, Storage exception
Protocols	TCP/IP,ICMP,HTTP,HTTPS,FTP,DHCP,DNS,DDNS,RTP,RTSP,RTCP, NTP,UPnP,SMTP,IGMP,802.1X,QoS,IPv6,Bonjour
General	One-key reset, Anti-Flicker, heartbeat, mirror, password protection, privacy mask, watermark, IP address filtering, Anonymous access
Standard	ONVIF, PSIA, CGI, ISAPI
Interface	
Communication Interface	1 RJ45 10M/100M Ethernet interface
Video Output	1Vp-p composite output (75 Ω/BNC)

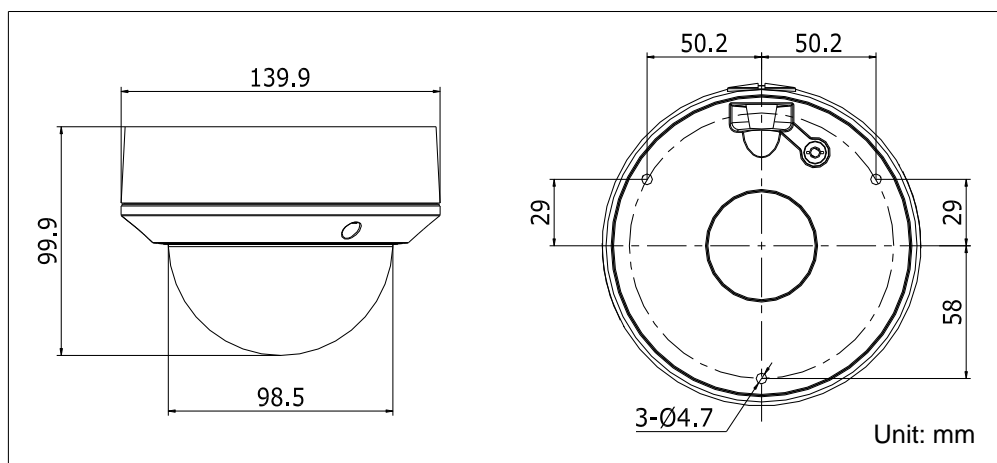
On-board storage	Built-in Micro SD/SDHC/SDXC card slot, up to 128 GB
General	
Operating Conditions	-30 °C – 60 °C (-22 °F – 140 °F) Humidity 95% or less (non-condensing)
Power Supply	12 V DC ± 10% PoE (802.3af Class3)
Power Consumption	Max. 5 W
Material	Base&Top Cover: Metal
Ingress Protection level	IP67
Impact Protection	IEC60068-275Eh, 20J; EN50102, up to IK10
IR Range	Approx. 30 meters
Dimensions	Φ 140 × 99.9 mm (Φ 5.51" × 3.94")
Weight	1000g

* "-S" series support 1-ch audio I/O, 1-ch alarm I/O

Order Models

DS-2CD2710F-I, DS-2CD2710F-IS

Dimensions



Accessories



Wall mount

